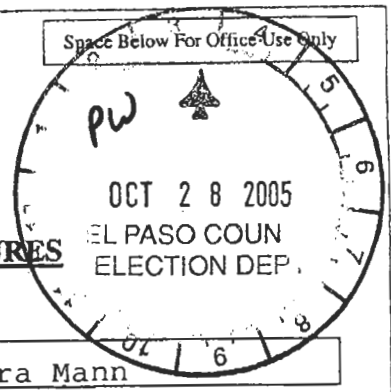


Space Below For Office Use Only

Colorado Secretary of State
Elections Division
1560 Broadway, Ste. 200
Denver, CO 80202
Ph: (303) 894-2200 x 3
Fax: (303) 869-4861
www.sos.state.co.us



REPORT OF CONTRIBUTIONS AND EXPENDITURES
(C.R.S. 1-45-108)

Full Name of Committee/Person:	The Committee to Elect Sandra Mann As Shown On Registration
Address of Committee/Person:	4403 Ranch Circle
City, State & Zip Code:	Colorado Springs, CO 80918
Committee Type:	Candidate
Name and Address of Financial Institution	Ent Federal Credit Union 7110 Campus Drive Colorado Springs, CO

SOS ID NUMBER (state committees ONLY):

Type of Report

- Regularly Scheduled Filing.
- Amended Filing. This amends previous report filed on (date)
Submit changes or new information ONLY
- Termination Report. (Termination Reports MUST Have a Monetary Balance of Zero in Line 5)

Reporting Period Covered: Through
date date

Declared Total Spending (if applicable) [Art. XXVIII, Sec. 4(1)] \$

		Totals Detailed Summary Page
1	Funds on Hand at the Beginning of Reporting Period (monetary only)	\$ 3,992.35
2	Total Monetary Contributions (line 11)	\$ 5,296.00
3	Total of Monetary Contributions & Beginning Amount (line 1 + line 2)	\$ 9,288.35
4	Total Monetary Expenditures (line 19)	\$ 12.05
5	Funds on Hand at the End of Reporting Period (monetary) (line 3 - line 4)	\$ 9,276.30

The appropriate officer shall impose a penalty of \$50 per day for each day that a report is filed late.
[Art. XXVIII Sec. 10(2)(a)]

Authorization (Must be completed by either the Registered Agent OR the Candidate)

Print Registered Agent's (Treasurer's) Name: MARY ELLEN McNALLY

Registered Agent's (Treasurer's) Signature: Mary Ellen McNally Date: 10/24/05

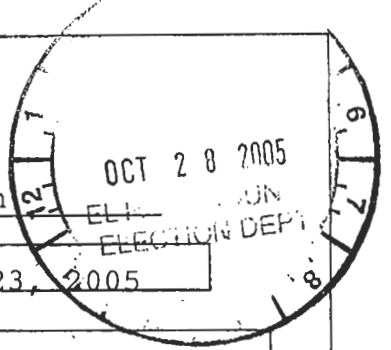
Print Candidate Name: _____

Candidates Signature: _____ Date: _____

DETAILED SUMMARY

Full Name of Committee/Person: The Committee to Elect Sandra Mann

Current Reporting Period: October 7, 2005 Through October 23, 2005

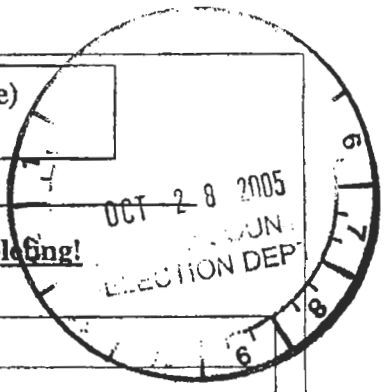


	Funds on hand at the beginning of reporting period (Monetary Only)	\$ 3,992.35
6	Itemized Contributions \$20 or More [C.R.S. 1-45-108(1)(a)] (Please list on Schedule "A")	\$ 5,151.00
7	Total of Non-Itemized Contributions (Contributions of \$19.99 and Less)	\$ 130.00
8	Loans Received (Please list on Schedule "C")	\$ 0.00
9	Total of Other Receipts (Interest, Dividends, etc.)	\$ 0.00
10	Returned Expenditures (from recipient) (Please list on Schedule "D")	\$ 0.00
11	Total Monetary Contributions (Total of lines 6 through 10)	\$ 5,296.00
12	Total Non-Monetary Contributions (From Statement of Non-Monetary Contributions)	\$ 2,646.78
13	Total Contributions (Line 11 + line 12)	\$ 7,942.78
14	Itemized Expenditures \$20 or More [C.R.S. 1-45-108(1)(a)] (Please list on Schedule "B")	\$ 0.00
15	Total of Non-Itemized Expenditures (Expenditures of \$19.99 or Less)	\$ 12.05
16	Loan Repayments Made (Please list on Schedule "C")	\$ 0.00
17	Returned Contributions (To donor) (Please list on Schedule "D")	\$ 0.00
18	Total Coordinated Non-Monetary Expenditures (Candidate/Candidate Committee & Political Parties only)	\$ 0.00
19	Total Monetary Expenditures (Total of lines 14 through 17)	\$ 12.05
20	Total Spending (Line 18 + line 19)	\$ 12.05

Schedule A - Itemized Contributions Statement (\$20 or more)

[C.R.S. 1-45-108(1)(a)]

Full Name of Committee/Person: The Committee to Elect Sandra Mann



WARNING: Please read the instruction page for Schedule "A" before completing!

PLEASE PRINT/TYPE

1. <u>Date Accepted</u> 10/14/2005	4. Name (Last, First): <u>Barbara M. Phillips</u>
2. <u>Contribution Amt.</u> \$ 100.00	5. Address: <u>2175 Paseo Del Oro</u>
3. <u>Aggregate Amt. *</u> \$	6. City/State/Zip: <u>Colorado Springs, CO 80904</u>
	7. Description: <u>Check</u>
	8. Employer (if applicable, mandatory): <u>Retired</u>
	9. Occupation (if applicable, mandatory): <u>Teacher</u>

1. <u>Date Accepted</u> 10/13/2005	4. Name (Last, First): <u>Sid & Karen Robinow</u>
2. <u>Contribution Amt.</u> \$ 25.00	5. Address: <u>740 Nebula Court</u>
3. <u>Aggregate Amt. *</u> \$	6. City/State/Zip: <u>Colorado Springs, CO 80906</u>
	7. Description: <u>Check</u>
	8. Employer (if applicable, mandatory): <u>N/A</u>
	9. Occupation (if applicable, mandatory): <u>N/A</u>

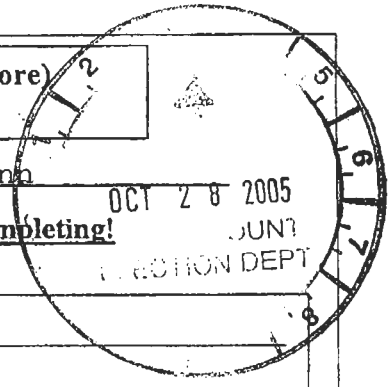
1. <u>Date Accepted</u> 10/13/2005	4. Name (Last, First): <u>Public Education Committee</u>
2. <u>Contribution Amt.</u> \$ 1,333.00	5. Address: <u>1500 Grant Street</u>
3. <u>Aggregate Amt. *</u> \$	6. City/State/Zip: <u>Denver, CO 80208</u>
	7. Description: <u>Check</u>
	8. Employer (if applicable, mandatory): <u>Public Education Committee</u>
	9. Occupation (if applicable, mandatory): <u>Education</u>

1. <u>Date Accepted</u> 10/13/2005	4. Name (Last, First): <u>William & Margie Brown</u>
2. <u>Contribution Amt.</u> \$ 100.00	5. Address: <u>2531 Chilsonn Lane</u>
3. <u>Aggregate Amt. *</u> \$	6. City/State/Zip: <u>Colorado Springs, CO 80904</u>
	7. Description: <u>Check</u>
	8. Employer (if applicable, mandatory): <u>Academic Connections</u>
	9. Occupation (if applicable, mandatory): <u>ESL Coach</u>

* For contribution limits within a committee's election cycle or contribution cycle, please refer to the following Colorado Constitutional cites: Candidate Committee Art. XXVIII, Sec. 2(6); Political Party Art. XXVIII, Sec. 3(3); Political Committee Art. XXVIII, Sec 3(5); Small Donor Committee Art. XXVIII, Sec. 2(14).

Schedule A – Itemized Contributions Statement (\$20 or more)

[C.R.S. 1-45-108(1)(a)]



Full Name of Committee/Person: The Committee to Elect Sandra Mann

WARNING: Please read the instruction page for Schedule "A" before completing!

PLEASE PRINT/TYPE

1. <u>Date Accepted</u> 10/13/2005	4. Name (Last, First): <u>William Eberhart</u>
2. <u>Contribution Amt.</u> \$ 50.00	5. Address: <u>542 Observatory Drive</u>
3. <u>Aggregate Amt. *</u> \$	6. City/State/Zip: <u>Colorado Springs, CO 80904</u>
	7. Description: <u>Check</u>
	8. Employer (if applicable, <u>mandatory</u>): <u>N/A</u>
	9. Occupation (if applicable, <u>mandatory</u>): <u>N/A</u>

1. <u>Date Accepted</u> 10/13/2005	4. Name (Last, First): <u>P.M. Wynn</u>
2. <u>Contribution Amt.</u> \$ 25.00	5. Address: <u>1256 Fine Fly Circle</u>
3. <u>Aggregate Amt. *</u> \$	6. City/State/Zip: <u>Colorado Springs, CO 80916</u>
	7. Description: <u>Check</u>
	8. Employer (if applicable, <u>mandatory</u>): <u>N/A</u>
	9. Occupation (if applicable, <u>mandatory</u>): <u>N/A</u>

1. <u>Date Accepted</u> 10/13/2005	4. Name (Last, First): <u>G. L. Vondrasek</u>
2. <u>Contribution Amt.</u> \$ 100.00	5. Address: <u>22 W. Del Norte Street</u>
3. <u>Aggregate Amt. *</u> \$	6. City/State/Zip: <u>Colorado Springs, CO 80907</u>
	7. Description: <u>Check</u>
	8. Employer (if applicable, <u>mandatory</u>): <u>Self-Employed</u>
	9. Occupation (if applicable, <u>mandatory</u>): <u>Real Estate Investor</u>

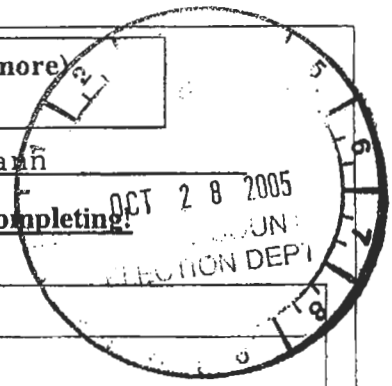
1. <u>Date Accepted</u> 10/13/2005	4. Name (Last, First): <u>Bruce Warren</u>
2. <u>Contribution Amt.</u> \$ 75.00	5. Address: <u>1560 Mesa Road</u>
3. <u>Aggregate Amt. *</u> \$	6. City/State/Zip: <u>Colorado Springs, CO 80904</u>
	7. Description: <u>Check</u>
	8. Employer (if applicable, <u>mandatory</u>): <u>N/A</u>
	9. Occupation (if applicable, <u>mandatory</u>): <u>N/A</u>

* For contribution limits within a committee's election cycle or contribution cycle, please refer to the following Colorado Constitutional cites: Candidate Committee Art. XXVIII, Sec. 2(6); Political Party Art. XXVIII, Sec. 3(3); Political Committee Art. XXVIII, Sec 3(5); Small Donor Committee Art. XXVIII, Sec. 2(14).

Schedule A - Itemized Contributions Statement (\$20 or more)
[C.R.S. 1-45-108(1)(a)]

Full Name of Committee/Person: The Committee to Elect Sandra Mann

WARNING: Please read the instruction page for Schedule "A" before completing!



PLEASE PRINT/TYPE

1. <u>Date Accepted</u> 10/13/2005	4. Name (Last, First): <u>John Fuller</u>
2. <u>Contribution Amt.</u> \$ 25.00	5. Address: <u>14 Hazel Avenue</u>
3. <u>Aggregate Amt. *</u> \$	6. City/State/Zip: <u>Colorado Springs, CO 80906</u>
	7. Description: <u>Check</u>
	8. Employer (if applicable, <u>mandatory</u>): <u>N/A</u>
	9. Occupation (if applicable, <u>mandatory</u>): <u>N/A</u>

1. <u>Date Accepted</u> 10/13/2005	4. Name (Last, First): <u>Howard & Karen Kunstle</u>
2. <u>Contribution Amt.</u> \$ 50.00	5. Address: <u>1830 Coyote Point Drive</u>
3. <u>Aggregate Amt. *</u> \$	6. City/State/Zip: <u>Colorado Springs, CO 80904</u>
	7. Description: <u>Check</u>
	8. Employer (if applicable, <u>mandatory</u>): <u>N/A</u>
	9. Occupation (if applicable, <u>mandatory</u>): <u>N/A</u>

1. <u>Date Accepted</u> 10/13/2005	4. Name (Last, First): <u>W.S. Mead</u>
2. <u>Contribution Amt.</u> \$ 50.00	5. Address: <u>2950 Bonne Vista Drive</u>
3. <u>Aggregate Amt. *</u> \$	6. City/State/Zip: <u>Colorado Springs, CO 80906</u>
	7. Description: <u>Check</u>
	8. Employer (if applicable, <u>mandatory</u>): <u>N/A</u>
	9. Occupation (if applicable, <u>mandatory</u>): <u>N/A</u>

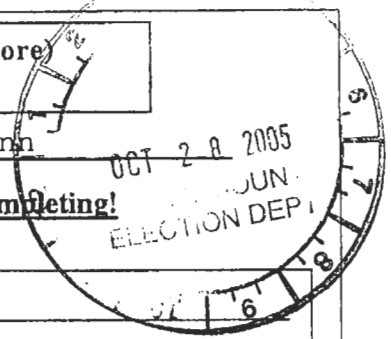
1. <u>Date Accepted</u> 10/13/2005	4. Name (Last, First): <u>William & Shirley Swinney</u>
2. <u>Contribution Amt.</u> \$ 10.00	5. Address: <u>720 Point of Pines</u>
3. <u>Aggregate Amt. *</u> \$	6. City/State/Zip: <u>Colorado Springs, CO 80919</u>
	7. Description: <u>Check</u>
	8. Employer (if applicable, <u>mandatory</u>): <u>N/A</u>
	9. Occupation (if applicable, <u>mandatory</u>): <u>N/A</u>

* For contribution limits within a committee's election cycle or contribution cycle, please refer to the following Colorado Constitutional cites: Candidate Committee Art. XXVIII, Sec. 2(6); Political Party Art. XXVIII, Sec. 3(3); Political Committee Art. XXVIII, Sec 3(5); Small Donor Committee Art. XXVIII, Sec. 2(14).

Schedule A - Itemized Contributions Statement (\$20 or more)

[C.R.S. 1-45-108(1)(a)]

Full Name of Committee/Person: The Committee to Elect Sandra Mann



WARNING: Please read the instruction page for Schedule "A" before completing!

PLEASE PRINT/TYPE

1. <u>Date Accepted</u> 10/13/2005	4. Name (Last, First): <u>Norvell Simpson</u>
2. <u>Contribution Amt.</u> \$ 25.00	5. Address: <u>4880 Topaz Drive</u>
3. <u>Aggregate Amt. *</u> \$	6. City/State/Zip: <u>Colorado Springs, CO 80918</u>
	7. Description: <u>Check</u>
	8. Employer (if applicable, <u>mandatory</u>): <u>N/A</u>
	9. Occupation (if applicable, <u>mandatory</u>): <u>N/A</u>

1. <u>Date Accepted</u> 10/13/2005	4. Name (Last, First): <u>Mary L. Bigler</u>
2. <u>Contribution Amt.</u> \$ 5.00	5. Address: <u>1920 E. Kiowa Street</u>
3. <u>Aggregate Amt. *</u> \$	6. City/State/Zip: <u>Colorado Springs, CO 80909</u>
	7. Description: <u>Check</u>
	8. Employer (if applicable, <u>mandatory</u>): <u>N/A</u>
	9. Occupation (if applicable, <u>mandatory</u>): <u>N/A</u>

1. <u>Date Accepted</u> 10/13/2005	4. Name (Last, First): <u>Lee Jennings</u>
2. <u>Contribution Amt.</u> \$ 100.00	5. Address: <u>1623 N. Tejon Street</u>
3. <u>Aggregate Amt. *</u> \$ 300.00	6. City/State/Zip: <u>Colorado Springs, CO 80907</u>
	7. Description: <u>Check</u>
	8. Employer (if applicable, <u>mandatory</u>): <u>United Airlines</u>
	9. Occupation (if applicable, <u>mandatory</u>): <u>Pilot</u>

1. <u>Date Accepted</u> 10/13/2005	4. Name (Last, First): <u>E. David Griffith</u>
2. <u>Contribution Amt.</u> \$ 50.00	5. Address: <u>231 E. Vermijo Avenue</u>
3. <u>Aggregate Amt. *</u> \$	6. City/State/Zip: <u>Colorado Springs, CO 80903</u>
	7. Description: <u>Check</u>
	8. Employer (if applicable, <u>mandatory</u>): <u>N/A</u>
	9. Occupation (if applicable, <u>mandatory</u>): <u>N/A</u>

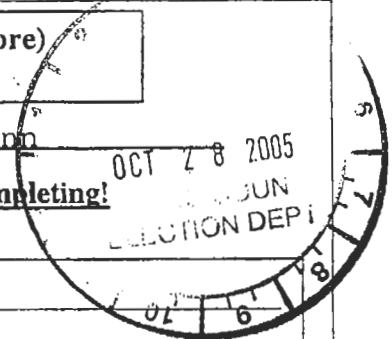
* For contribution limits within a committee's election cycle or contribution cycle, please refer to the following Colorado Constitutional cites: Candidate Committee Art. XXVIII, Sec. 2(6); Political Party Art. XXVIII, Sec. 3(3); Political Committee Art. XXVIII, Sec 3(5); Small Donor Committee Art. XXVIII, Sec. 2(14).

Schedule A - Itemized Contributions Statement (\$20 or more)

[C.R.S. 1-45-108(I)(a)]

Full Name of Committee/Person: The Committee to Elect Sandra Mann

WARNING: Please read the instruction page for Schedule "A" before completing!



PLEASE PRINT/TYPE

1. <u>Date Accepted</u> 10/13/2005	4. Name (Last, First): <u>Robert & Eileen Koenig</u>
2. <u>Contribution Amt.</u> \$ 200.00	5. Address: <u>6340 Spurwood Drive</u>
3. <u>Aggregate Amt. *</u> \$	6. City/State/Zip: <u>Colorado Springs, CO 80918</u>
	7. Description: <u>Check</u>
	8. Employer (if applicable, <u>mandatory</u>): <u>Retired</u>
	9. Occupation (if applicable, <u>mandatory</u>): <u>Military</u>

1. <u>Date Accepted</u> 10/13/2005	4. Name (Last, First): <u>Steven Groth</u>
2. <u>Contribution Amt.</u> \$ 30.00	5. Address: <u>19 N. Hancock</u>
3. <u>Aggregate Amt. *</u> \$	6. City/State/Zip: <u>Colorado Springs, CO 80903</u>
	7. Description: <u>Check</u>
	8. Employer (if applicable, <u>mandatory</u>): <u>N/A</u>
	9. Occupation (if applicable, <u>mandatory</u>): <u>N/A</u>

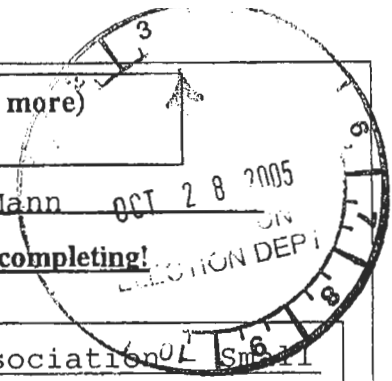
1. <u>Date Accepted</u> 10/13/2005	4. Name (Last, First): <u>Bill & Lynne Kettles</u>
2. <u>Contribution Amt.</u> \$ 50.00	5. Address: <u>87 Saddle Mountain</u>
3. <u>Aggregate Amt. *</u> \$	6. City/State/Zip: <u>Colorado Springs, CO 80919</u>
	7. Description: <u>Check</u>
	8. Employer (if applicable, <u>mandatory</u>): <u>N/A</u>
	9. Occupation (if applicable, <u>mandatory</u>): <u>N/A</u>

1. <u>Date Accepted</u> 10/13/2005	4. Name (Last, First): <u>David & Lorna Lohmann</u>
2. <u>Contribution Amt.</u> \$ 50.00	5. Address: <u>110 East Van Buren Street</u>
3. <u>Aggregate Amt. *</u> \$	6. City/State/Zip: <u>Colorado Springs, CO 80907</u>
	7. Description: <u>Check</u>
	8. Employer (if applicable, <u>mandatory</u>): <u>N/A</u>
	9. Occupation (if applicable, <u>mandatory</u>): <u>N/A</u>

* For contribution limits within a committee's election cycle or contribution cycle, please refer to the following Colorado Constitutional cites: Candidate Committee Art. XXVIII, Sec. 2(6); Political Party Art. XXVIII, Sec. 3(3); Political Committee Art. XXVIII, Sec 3(5); Small Donor Committee Art. XXVIII, Sec. 2(14).

Schedule A – Itemized Contributions Statement (\$20 or more)

[C.R.S. 1-45-108(1)(a)]



Full Name of Committee/Person: The Committee to Elect Sandra Mann

WARNING: Please read the instruction page for Schedule "A" before completing!

PLEASE PRINT/TYPE

1. <u>Date Accepted</u> 10/13/2005	4. Name (Last, First): <u>Boulder Valley Education Association Donor Committee</u>
2. <u>Contribution Amt.</u> \$ 1,000.00	5. Address: <u>7464 Arapahoe, Suite 3A</u>
3. <u>Aggregate Amt. *</u> \$	6. City/State/Zip: <u>Boulder, CO 80303</u>
	7. Description: <u>Check</u>
	8. Employer (if applicable, <u>mandatory</u>): <u>N/A</u>
	9. Occupation (if applicable, <u>mandatory</u>): <u>N/A</u>

1. <u>Date Accepted</u> 10/13/2005	4. Name (Last, First): <u>Tom Binnings</u>
2. <u>Contribution Amt.</u> \$ 50.00	5. Address: <u>1017 War Eagle Drive North</u>
3. <u>Aggregate Amt. *</u> \$	6. City/State/Zip: <u>Colorado Springs, CO 80919</u>
	7. Description: <u>Check</u>
	8. Employer (if applicable, <u>mandatory</u>): <u>N/A</u>
	9. Occupation (if applicable, <u>mandatory</u>): <u>N/A</u>

1. <u>Date Accepted</u> 10/13/2005	4. Name (Last, First): <u>Thomas & Debra Kapchinske</u>
2. <u>Contribution Amt.</u> \$ 50.00	5. Address: <u>8410 Sweetgum Terrace</u>
3. <u>Aggregate Amt. *</u> \$	6. City/State/Zip: <u>Colorado Springs, CO 80920</u>
	7. Description: <u>Check</u>
	8. Employer (if applicable, <u>mandatory</u>): <u>N/A</u>
	9. Occupation (if applicable, <u>mandatory</u>): <u>N/A</u>

1. <u>Date Accepted</u> 10/13/2005	4. Name (Last, First): <u>DTEA Small Donor Committee</u>
2. <u>Contribution Amt.</u> \$ 500.00	5. Address: <u>10190 Bannock Street, #222</u>
3. <u>Aggregate Amt. *</u> \$	6. City/State/Zip: <u>Northglen, CO 80221</u>
	7. Description: <u>Check</u>
	8. Employer (if applicable, <u>mandatory</u>): <u>N/A</u>
	9. Occupation (if applicable, <u>mandatory</u>): <u>N/A</u>

* For contribution limits within a committee's election cycle or contribution cycle, please refer to the following Colorado Constitutional cites: Candidate Committee Art. XXVIII, Sec. 2(6); Political Party Art. XXVIII, Sec. 3(3); Political Committee Art. XXVIII, Sec 3(5); Small Donor Committee Art. XXVIII, Sec. 2(14).

Schedule A - Itemized Contributions Statement (\$20 or more)
[C.R.S. 1-45-108(1)(a)]

Full Name of Committee/Person: The Committee to Elect Sandra Mann

WARNING: Please read the instruction page for Schedule "A" before completing!

PLEASE PRINT/TYPE

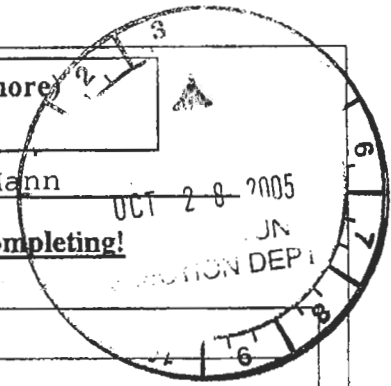
1. <u>Date Accepted</u> 10/19/2005	4. Name (Last, First): <u>Mike Miles</u>
2. <u>Contribution Amt.</u> \$ 100.00	5. Address: <u>4319 Hickory Hollow Drive</u>
3. <u>Aggregate Amt. *</u> \$	6. City/State/Zip: <u>Colorado Springs, CO 80922</u>
	7. Description: <u>Check</u>
	8. Employer (if applicable, <u>mandatory</u>): <u>Fountain-Ft. Carson School District</u>
	9. Occupation (if applicable, <u>mandatory</u>): <u>Assistant Superintendent</u>

1. <u>Date Accepted</u> 10/19/2005	4. Name (Last, First): <u>C. M. Pring</u>
2. <u>Contribution Amt.</u> \$ 50.00	5. Address: <u>1329 Wood Avenue</u>
3. <u>Aggregate Amt. *</u> \$	6. City/State/Zip: <u>Colorado Springs, CO 80903</u>
	7. Description: <u>Check</u>
	8. Employer (if applicable, <u>mandatory</u>): <u>N/A</u>
	9. Occupation (if applicable, <u>mandatory</u>): <u>N/A</u>

1. <u>Date Accepted</u> 10/19/2005	4. Name (Last, First): <u>Lynn & June Koester</u>
2. <u>Contribution Amt.</u> \$ 7.00	5. Address: <u>P.O. Box 7022</u>
3. <u>Aggregate Amt. *</u> \$	6. City/State/Zip: <u>Woodland Park, CO 80863</u>
	7. Description: <u>Check</u>
	8. Employer (if applicable, <u>mandatory</u>): <u>N/A</u>
	9. Occupation (if applicable, <u>mandatory</u>): <u>N/A</u>

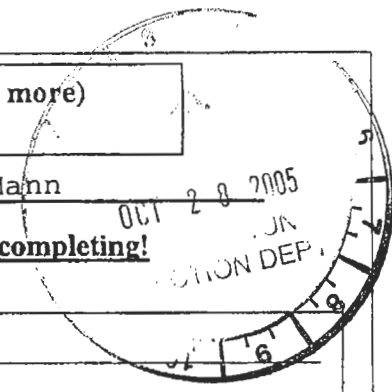
1. <u>Date Accepted</u> 10/19/2005	4. Name (Last, First): <u>Tracy Cooper</u>
2. <u>Contribution Amt.</u> \$ 50.00	5. Address: <u>3075 N. Chelton Road</u>
3. <u>Aggregate Amt. *</u> \$	6. City/State/Zip: <u>Colorado Springs, CO 80909</u>
	7. Description: <u>Check</u>
	8. Employer (if applicable, <u>mandatory</u>): <u>N/A</u>
	9. Occupation (if applicable, <u>mandatory</u>): <u>N/A</u>

* For contribution limits within a committee's election cycle or contribution cycle, please refer to the following Colorado Constitutional cites: Candidate Committee Art. XXVIII, Sec. 2(6); Political Party Art. XXVIII, Sec. 3(3); Political Committee Art. XXVIII, Sec 3(5); Small Donor Committee Art. XXVIII, Sec. 2(14).



Schedule A – Itemized Contributions Statement (\$20 or more)

[C.R.S. 1-45-108(1)(a)]



Full Name of Committee/Person: The Committee to Elect Sandra Mann

WARNING: Please read the instruction page for Schedule "A" before completing!

PLEASE PRINT/TYPE

1. <u>Date Accepted</u> 10/19/2005	4. Name (Last, First): <u>Patricia & William Bogart</u>
2. <u>Contribution Amt.</u> \$ 100.00	5. Address: <u>7512 Liberty Bell Drive</u>
3. <u>Aggregate Amt. *</u> \$	6. City/State/Zip: <u>Colorado Springs, CO 80920</u>
	7. Description: <u>Check</u>
	8. Employer (if applicable, <u>mandatory</u>): <u>Colorado Springs School District No. 11</u>
	9. Occupation (if applicable, <u>mandatory</u>): <u>Educator</u>

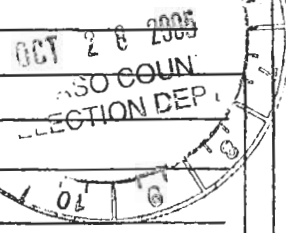
1. <u>Date Accepted</u> 10/19/2005	4. Name (Last, First): <u>Peggy Copley</u>
2. <u>Contribution Amt.</u> \$ 25.00	5. Address: <u>2003 Trent Avenue</u>
3. <u>Aggregate Amt. *</u> \$	6. City/State/Zip: <u>Colorado Springs, CO 80909</u>
	7. Description: <u>Check</u>
	8. Employer (if applicable, <u>mandatory</u>): <u>N/A</u>
	9. Occupation (if applicable, <u>mandatory</u>): <u>N/A</u>

1. <u>Date Accepted</u> 10/19/2005	4. Name (Last, First): <u>Dan E. Le Roy</u>
2. <u>Contribution Amt.</u> \$ 25.00	5. Address: <u>2206 Patrician Way</u>
3. <u>Aggregate Amt. *</u> \$	6. City/State/Zip: <u>Colorado Springs, CO 80909</u>
	7. Description: <u>Check</u>
	8. Employer (if applicable, <u>mandatory</u>): <u>N/A</u>
	9. Occupation (if applicable, <u>mandatory</u>): <u>N/A</u>

1. <u>Date Accepted</u> 10/7/2005	4. Name (Last, First): <u>Harriet & Stephen Maddox</u>
2. <u>Contribution Amt.</u> \$ 140.00	5. Address: <u>2709 Penacho Circle</u>
3. <u>Aggregate Amt. *</u> \$ 165.00	6. City/State/Zip: <u>Colorado Springs, CO 80917</u>
	7. Description: <u>Check</u>
	8. Employer (if applicable, <u>mandatory</u>): <u>Colorado Springs School District No. 11</u>
	9. Occupation (if applicable, <u>mandatory</u>): <u>Teacher</u>

* For contribution limits within a committee's election cycle or contribution cycle, please refer to the following Colorado Constitutional cites: Candidate Committee Art. XXVII, Sec. 2(6); Political Party Art. XXVIII, Sec. 3(3); Political Committee Art. XXVIII, Sec 3(5); Small Donor Committee Art. XXVIII, Sec. 2(14).

Statement of Non-Monetary Contributions
 [Art. XXVIII, Sec. 2(5)(a)(II)(III) & Sec. 5(3) & C.R.S. 1-45-108(1)]



Full Name of Committee/Person: The Committee to Elect Sandra Mann

PLEASE PRINT/TYPE

1. <u>Date Provided</u> 10/7/2005	4. Name (Last, First): <u>Public Education Committee</u>
2. <u>Fair Market Value</u> \$ 2,560.12	5. Address: <u>1500 Grant Street</u>
3. <u>Aggregate Amt.</u> \$ 3,893.12	6. City/State/Zip: <u>Denver, CO 80203</u>
	7. Description: <u>Consulting</u>
	8. Employer (if applicable, <u>mandatory</u>): <u>N/A</u>
	9. Occupation (if applicable, <u>mandatory</u>): <u>N/A</u>
	10. <input type="checkbox"/> Check box if Coordinated with a Candidate/Candidate Committee or Political Party. *

1. <u>Date Provided</u> 10/19/2005	4. Name (Last, First): <u>Public Education Committee</u>
2. <u>Fair Market Value</u> \$ 3,979.78	5. Address: <u>1500 Grant Street</u>
3. <u>Aggregate Amt.</u> \$	6. City/State/Zip: <u>Denver, CO 80203</u>
	7. Description: <u>Consulting</u>
	8. Employer (if applicable, <u>mandatory</u>): <u>N/A</u>
	9. Occupation (if applicable, <u>mandatory</u>): <u>N/A</u>
	10. <input type="checkbox"/> Check box if Coordinated with a Candidate/Candidate Committee or Political Party. *

1. <u>Date Provided</u>	4. Name (Last, First): _____
2. <u>Fair Market Value</u> \$	5. Address: _____
3. <u>Aggregate Amt.</u> \$	6. City/State/Zip: _____
	7. Description: _____
	8. Employer (if applicable, <u>mandatory</u>): _____
	9. Occupation (if applicable, <u>mandatory</u>): _____
	10. <input type="checkbox"/> Check box if Coordinated with a Candidate/Candidate Committee or Political Party. *

1. <u>Date Provided</u>	4. Name (Last, First): _____
2. <u>Fair Market Value</u> \$	5. Address: _____
3. <u>Aggregate Amt.</u> \$	6. City/State/Zip: _____
	7. Description: _____
	8. Employer (if applicable, <u>mandatory</u>): _____
	9. Occupation (if applicable, <u>mandatory</u>): _____
	10. <input type="checkbox"/> Check box if Coordinated with a Candidate/Candidate Committee or Political Party. *

* Note: If coordinated, then contribution must also be reported as a non-monetary expenditure on Detailed Summary. Art. XXVIII, Sec. 2(9) states: "...Expenditures that are controlled by or coordinated with a candidate or candidate's agent are deemed to be both contributions by the maker of the expenditures, and expenditures by the candidate committee."

Schedule A – Itemized Contributions Statement (\$20 or more)
[C.R.S. 1-45-108(1)(a)]

Full Name of Committee/Person: The Committee to Elect Sandra Mann

WARNING: Please read the instruction page for Schedule "A" before completing!

OCT 28 2005
PULO COUN
LECTION DEP.

PLEASE PRINT/TYPE

1. <u>Date Accepted</u> 10/7/2005	4. Name (Last, First): <u>Robert Miner</u>
2. <u>Contribution Amt.</u> \$ 100.00	5. Address: <u>5825 Cliffside Terrace</u>
3. <u>Aggregate Amt. *</u> \$ 400.00	6. City/State/Zip: <u>Colorado Springs, CO 80918</u>
	7. Description: <u>Check</u>
	8. Employer (if applicable, <u>mandatory</u>): <u>Retired</u>
	9. Occupation (if applicable, <u>mandatory</u>): <u>Retired</u>

1. <u>Date Accepted</u> 10/7/2005	4. Name (Last, First): <u>Jim & Patricia Benskin</u>
2. <u>Contribution Amt.</u> \$ 70.00	5. Address: <u>1808 Pejn Street</u>
3. <u>Aggregate Amt. *</u> \$ 95.00	6. City/State/Zip: <u>Colorado Springs, CO 80904</u>
	7. Description: <u>Check</u>
	8. Employer (if applicable, <u>mandatory</u>): <u>N/A</u>
	9. Occupation (if applicable, <u>mandatory</u>): <u>N/A</u>

1. <u>Date Accepted</u> 10/7/2005	4. Name (Last, First): <u>Sandra Mann</u>
2. <u>Contribution Amt.</u> \$ 446.00	5. Address: <u>4403 Ranch Circle</u>
3. <u>Aggregate Amt. *</u> \$ 846.00	6. City/State/Zip: <u>Colorado Springs, CO 80918</u>
	7. Description: <u>Transfer</u>
	8. Employer (if applicable, <u>mandatory</u>): <u>Adelphia</u>
	9. Occupation (if applicable, <u>mandatory</u>): <u>Media Consultant</u>

1. <u>Date Accepted</u>	4. Name (Last, First): _____
2. <u>Contribution Amt.</u> \$	5. Address: _____
3. <u>Aggregate Amt. *</u> \$	6. City/State/Zip: _____
	7. Description: _____
	8. Employer (if applicable, <u>mandatory</u>): _____
	9. Occupation (if applicable, <u>mandatory</u>): _____

* For contribution limits within a committee's election cycle or contribution cycle, please refer to the following Colorado Constitutional cites: Candidate Committee Art. XXVIII, Sec. 2(6); Political Party Art. XXVIII, Sec. 3(3); Political Committee Art. XXVIII, Sec 3(5); Small Donor Committee Art. XXVIII, Sec. 2(14).